

# SYSTEM WIRING DIAGRAMS

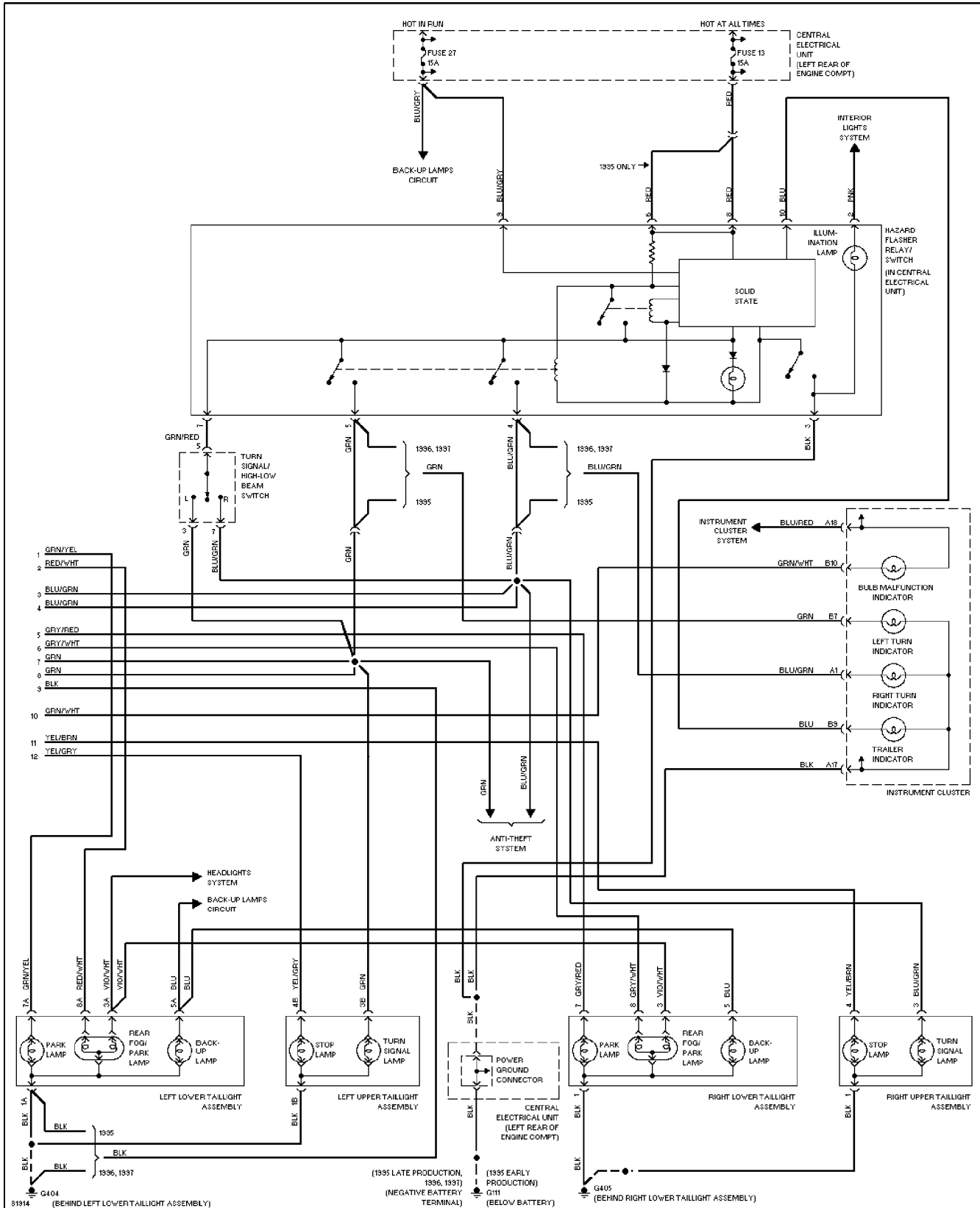
## Exterior Lamps Circuit, Wagon (2 of 2)

1997 Volvo 850

For DIAKOM-AUTO <http://www.diakom.ru> Taganrog support@diakom.ru (8634)315187

Copyright © 1998 Mitchell Repair Information Company, LLC

Thursday, December 14, 2000 11:44AM



81914 (BEHIND LEFT LOWER TAILLIGHT ASSEMBLY)

(1995 LATE PRODUCTION, 1996, 1997) (NEGATIVE BATTERY TERMINAL)

(1995 EARLY PRODUCTION) G11 (BELOW BATTERY)

G405 (BEHIND RIGHT LOWER TAILLIGHT ASSEMBLY)